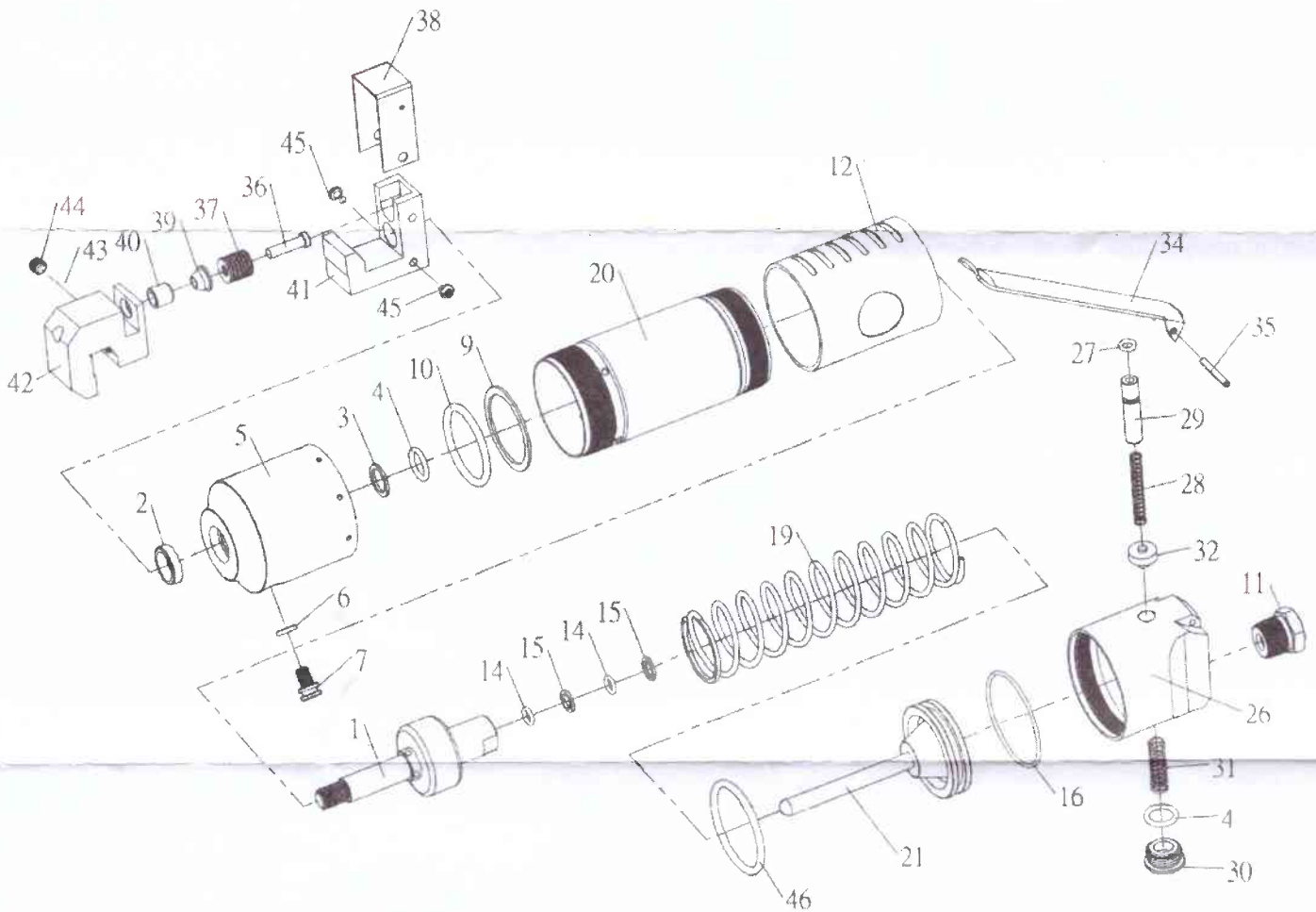


PUNCH/FLANGE TOOL 5MM

CE



PT-303

Index No.	Parts No.	Description	Q'ty
1	303001	Hydro Piston	1
2	303002	Oil Seal	1
3	303003	Support Ring(P12)	1
4	ORP-0120	O-Ring(P12)	2
5	303005	Lock Nut	1
6	ORP-0070	O-Ring(P7)	1
7	303007	Screw	1
9	303009	Support Ring(P34)	1
10	303010	O-Ring(P34)	1
11	AR-38001	Air Inlet	1
12	303012	Grip-Rubber	1
14	ORP-0080	O-Ring(P8)	2
15	303015	Support Ring(P8)	2
16	303016	O-Ring(47.35*1.78)	1
19	303019	Spring	1
20	303020	Air Cylinder	1
21	303021	High Press Piston	1
26	303026	Valve Body	1

Index No.	Parts No.	Description	Q'ty
27	ORP-0050	O-Ring(P5)	1
28	303028	Spring	1
29	303029	Push Rod	1
30	303030	Scrwe	1
31	303031	Spring	1
32	303032	Valve	1
34	303034	Lever	1
35	SP-30230	Spring Pin(3*23)	1
36	303036	Punch	1
37	DSH-005	Cup Spring	13
38	303038	Cover Plate	1
39	303039	Guide Bushing	1
40	303040	Punch Die	1
41	303041	Anvil	1
42	303042	Clamp	1
44	SS-0606A	Locking Screw(M6*6)	1
45	S4-4006C	Screw(M4*6)	2
46	303021A	O-Ring (p41)	1